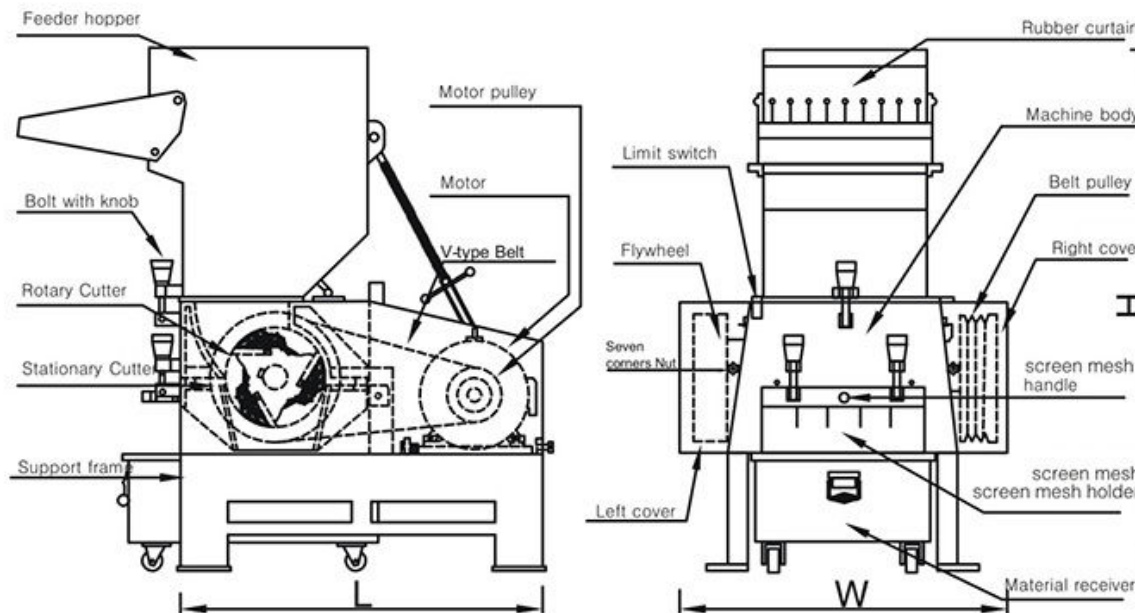


FEATURE:

- Unique scissors type structure, conducive to improve working efficiency.
- Double layer sound insulation design deduces the noises.
- Scientific structure, convenient for operation, energy saving and durable.
- Equipped with multiple safety protection devices to ensure safe operation
- Suitable for all kinds of large-scale hollow products, leather, PE film, PET bottles etc.
- Optional recycling system, effect is better
- Within 400 models installed casters. Above 500 models installed anti vibration mounts as optional.

STRUCTURE DIAGRAM



技术参数 SPECIFICATIONS

型号 Model	粉碎口径 Grinding Chamber (mm)	粉碎能力 Grinding Capacity (KG/H)	固定刀 Stationary Cutter	旋转刀 Rotary Cutter	筛网孔径 mesh size (mm)	功率/Power		外形尺寸 Dimensions (LxWxH mm)	净重约 Approx. Net Weight (KG)
						KW	HP		
XC-GV400	410x240	80-120	2	6	Φ8	7.5	10	1010x815x1330	520
XC-GV600	610x330	130-230	4	6	Φ10	15	20	1290x1075x1740	1100
XC-GV800	815x470	180-280	4	6	Φ10	22	30	1735x1525x2180	1840
XC-GV1100	1100x800	500-800	4	9	Φ12	75	100	2585x2110x3240	5500

Note: The capacities are based on film materials, crushing capacity might be different to other materials.

We reserve the right to change specifications without prior notice.